

DOORS - DM SERIES

DM Series Doors shall be as manufactured or furnished by Republic Doors and Frames, McKenzie, Tennessee 38201.

Thickness - 1-3/4"

Actual Door Size - Door undersized from nominal by 1/4" in width and 7/8" in height. Standard undercut is 3/4".

Hinge Rail & Reinforcement - Hinge edge is non-beveled and reinforced with a 16 gage steel channel, projection welded at a maximum 5" on center. Additional reinforcement plates are provided at the hinge locations to give a total 3/16" reinforcement. (Backset 1/4")

Lock Rail - Lock edge is non-beveled and is continuous lap seam welded and planished. 16 gage reinforcements for mortise or cylindrical locks are of the box type configuration.

Top Channel - Top Channel is a 16 gage flush channel, projection welded at a maximum 2-1/2" on center.

Bottom Channel - Bottom Channel is an inverted 16 gage channel, projection welded at a maximum 2-1/2" on center.

Core - A 3/4" cell honeycomb core is bonded to steel face sheets with a proprietary adhesive that provides a superior bond and results in a flatter stronger door. A section of 3/4" honeycomb core, weighing less than three ounces, will support 48 pounds per square inch (over three tons per square foot) when bonded to steel face sheets. This honeycomb core door is available in a complete range of fire ratings (20 minutes to three hours) and with either U.L. or W.H. labels. In a fire situation, honeycomb core will not ignite unless directly exposed to flame. If it ignites, the honeycomb core will emit significantly less toxic gases than doors of other core constructions.

Face Skins - 20 gage and 18 gage, Cold Rolled Steel

Closer Reinforcement (Optional) - 14 gage channel (18" x 6")

Size Availability - Minimum 2'4" x 6'8", Maximum 4'0" x 7'0"

SDI 100 Grade/Model - Grade 1 Model 1 (Standard Duty, minimum 20 gage, hollow steel composite)
Grade 2 Model 1 (Heavy Duty, minimum 18 gage, hollow steel composite)

Label Range - Consult Label Section. (Stock doors have a U.L. 1-1/2 hr. mylar label)

Universal Standard/Heavy Weight Hinge - Hinge fillers are used allowing for an easy modification from standard to heavy weight hinge prep.

Handing Design - Non-Handed

Revised 8/09



DM SERIES - SPECIFICATIONS

- I. DM Series Doors as manufactured by Republic Doors and Frames, McKenzie, TN 38201 have been tested or adhere to the criteria set forth by the following published standards:
 - A. ANSI A250.8-1998 (SDI 100) - Recommended Specifications -Standard Steel Doors & Frames; Steel Door Institute.
 - B. ANSI A250.4 - Test Procedure & Acceptance Criteria for Physical Endurance for Steel Doors & Hardware Reinforcings.
 - C. SDI 111 - Recommended Standard Details - Steel Doors & Frames.
 - D. SDI 112-97 - Zinc Coated Standard Steel Doors and Frames.
 - E. SDI 113-79 - Test Procedure and Acceptance Criteria for Acoustical Performance for Steel Door and Frame Assemblies.
 - F. ASTM A366/A366M - Standard Specification for Steel, Sheet, Carbon, and High Strength, Low Alloy, Hot Rolled and Cold Rolled, General Requirements.
 - G. ASTM A568/A568M - Standard Specification for Steel, Sheet, Carbon and High Strength, Low-Alloy, Hot Rolled and Cold Rolled, General Requirements For.
 - H. ASTM A569/A569M - Standard Steel Specification for Steel, Carbon (0.15 Maximum Percent), Hot Rolled Sheet and Strip Commercial Quality.
 - I. ASTM A591/A591M - Standard Steel Specification for Steel Sheet, Electrolytic Zinc-Coated, for Light Coating Mass Applications.
 - J. ASTM A653/A653M - Standard Specification for Steel Sheet, Zinc-Coated (Galvanized) or Zinc-Iron Alloy Coated (Galvanized) by Hot Dipped Process.
 - K. NFPA 80 - Standard for Fire Doors and Windows.
 - L. ANSI A151.1 - Performance Test for Steel Doors, Hinge, Lock and Exit Device Reinforcing.
- II. Door Construction
 - A. Doors will be constructed of 20 or 18 gage steel.
 - B. Top Channel will be 16 gage, flush with the top of the door and will be projection welded on maximum 2-1/2" centers to each face sheet.
 - C. Bottom Channel will be 16 gage, inverted and will be projection welded on maximum 2-1/2" centers to each face sheet.
 - D. Hinge reinforcing will be a full height 16 gage channel with additional reinforcing at hinge locations to total 3/16" thickness, projection welded to both face sheets with a maximum of 5" on center.
 - E. Lock edge is non beveled and is continuous lap seam welded and planished. 16 gage reinforcements for cylindrical and mortise locks will be box type according to ANSI A115.
 - F. Cores:
 1. Standard - 3/4" cell honeycomb with a "U" factor of .34.
 2. Optional Cores- 1 lb density expanded Polystyrene per ASTM 578 with a "U" factor of .13.
- III. Door Finish

Doors will be cleaned and phosphatized with one coat of force-cured grey primer applied in accordance with ANSI A224.1-1990 or ASTM specification B117 for finishes capable of passing 120 hour salt spray test and a 240 hour humidity test in compliance with ASTM D1735.

SDI Classifications:

- Grade I Standard Duty Model 1.
- Grade II Heavy Duty Model 1.

Revised 8/09



DOORS - DM SERIES (OPTIONS)

Cores: Polystyrene - A solid core, efficient in extreme weather conditions.

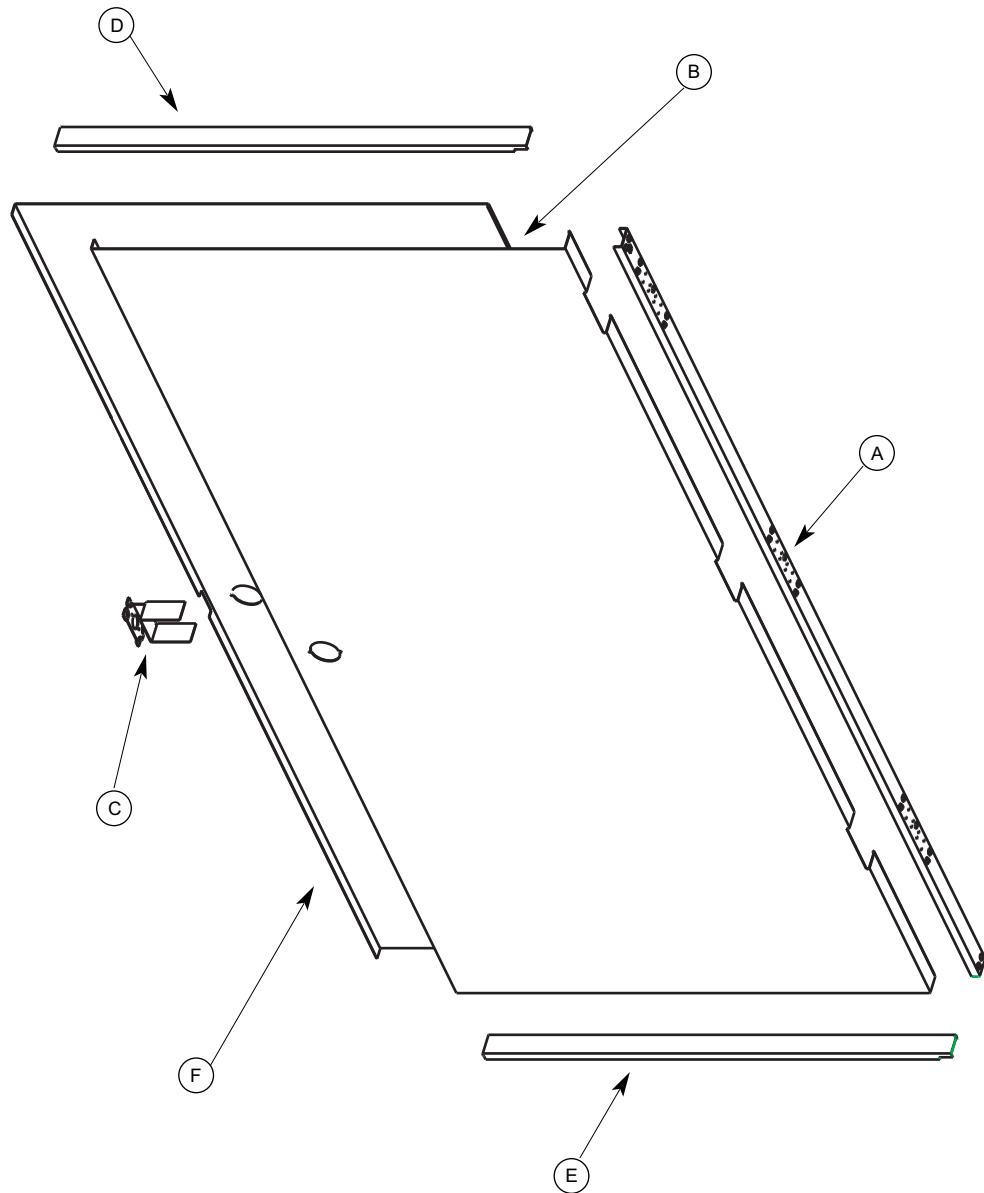
Face Skins-Galvanealed: Republic's standard is a hot dipped process of not less than 0.6 oz of zinc per square foot. The galvanizing process adheres to the criteria set forth by ASTM A924, ASTM A653/A653M and SDI 112-97. **Republic's standard supplied light kits or louvers for galvanized doors will be galvanized.**

Closer Reinforcement - 14 gage channel (18" x 6")

Revised 11/07

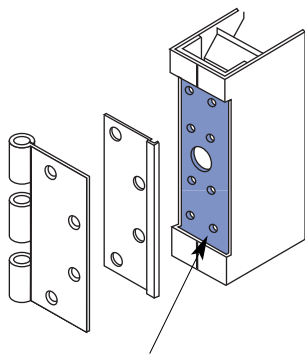


DM SERIES - 1-3/4" DOOR CONSTRUCTION DETAILS

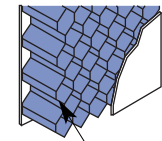


NOTE:
See Details on
back of page.

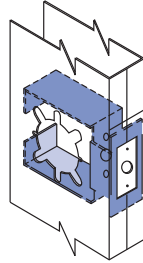
Revised 6/05

A

Continuous 16 gage steel channel with integral 10 gage reinforcement with provision for 4-1/12" or 5" full mortise template hinges

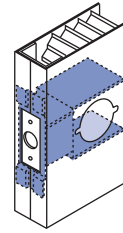
B

3/4" Cell Honeycomb Core U Factor of .34

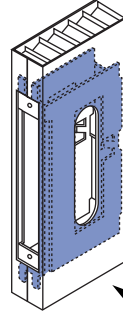


Lever Lock Prep - 161 DT (Modified 161 Prep) Conforms with the ANSI 115.18 161 lever lock specifications.

WARNING: Use rose trim with a minimum diameter of 3-5/16" to cover prep.

C

16 gage steel cylindrical lock reinforcement with provisions for Gov't Series 160 or 161 cylindrical lock sets (2-3/4" backset) and ANSI A115.2 lock front (1-1/8" x 2-1/4")

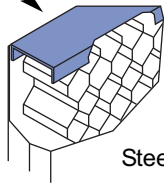


16 gage mortise lock reinforcement with provisions for Gov't Series 86 mortise lockset and ANSI A115.1 lock front (1-1/4" x 8")

D

Flush Top Continuous 16 gage steel channel

DOOR TOP



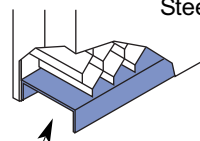
Steel Panel

14 gage closer reinforcement when requested

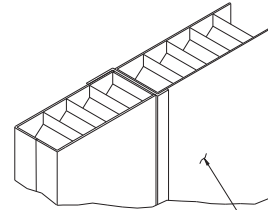
E

DOOR BOTTOM

Steel Panel



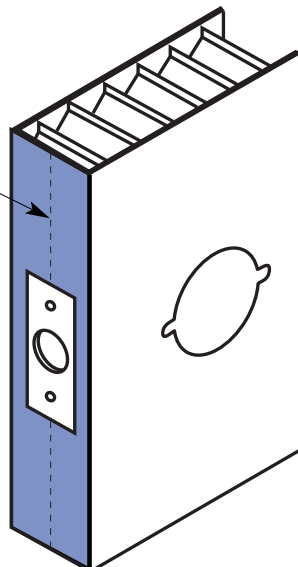
Continuous 16 gage steel channel

F

Inactive Leaf (outside)

14 gage astragal for double doors (optional)

Continuously welded edge seam



DM STOCK DOORS

2468	2470
2668	2670
2868	2870
3068	3070
3468	3470
3668	3670
3868	3870
4068	4070

Revised 8/09