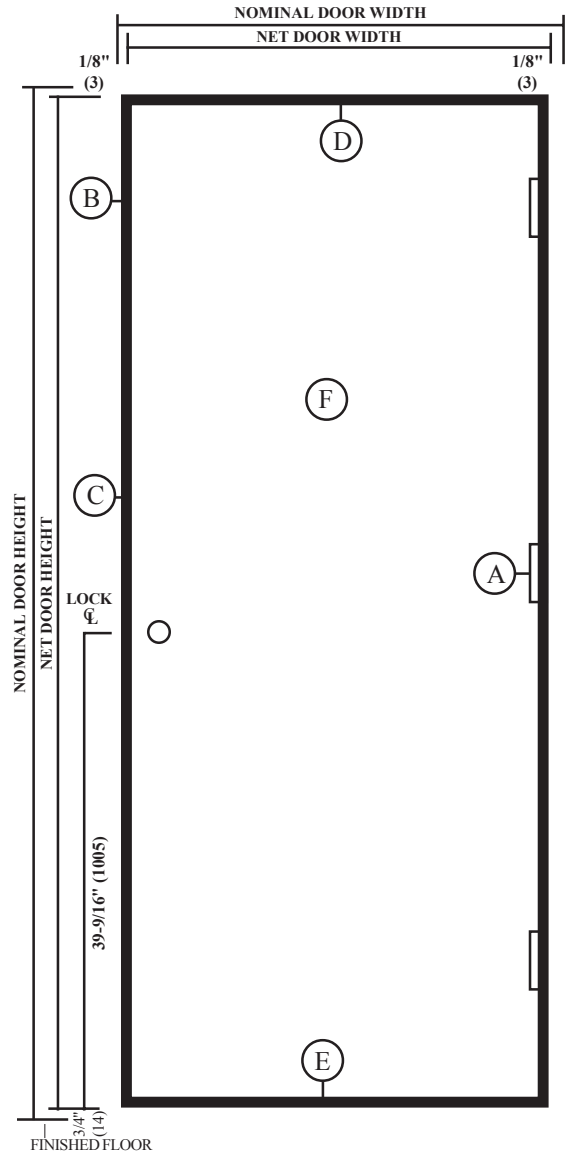


# 1 3/4 DM SERIES DOORS

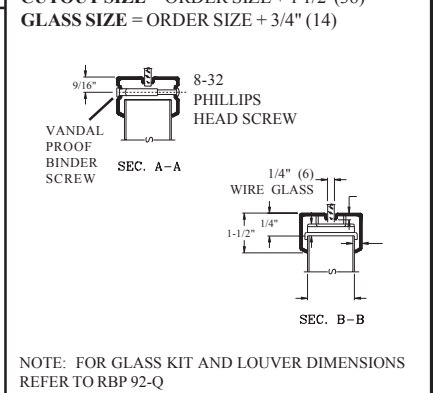
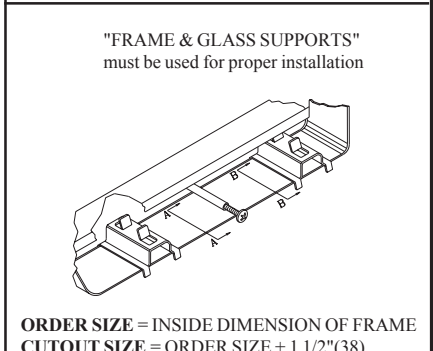
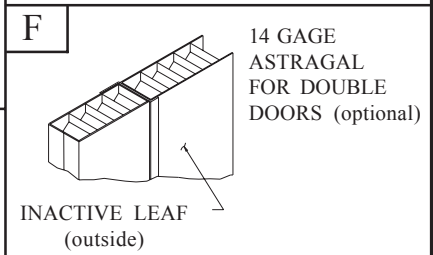
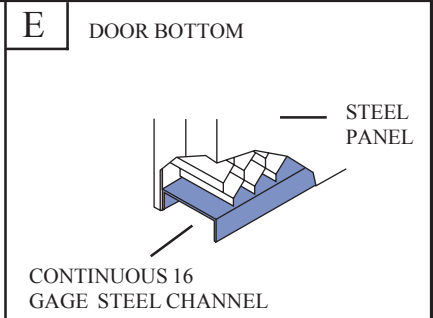
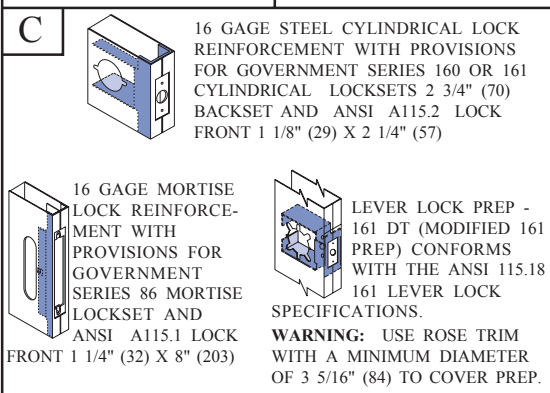
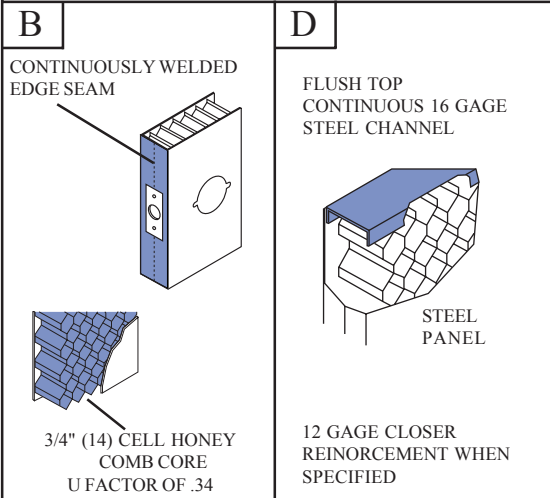
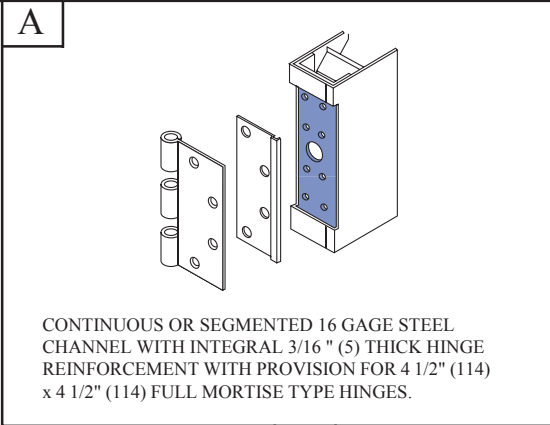
Dimensions in ( ) are metric

**TOP TO TOP**  
**4 1/2" Hinges Only**  
**1 3/4" Door**



	6'-8" (2032) OPG	7'-0" (2134) OPG	7'-2" (2184) OPG	7'-6" (2286) OPG	7'-10" (2388) OPG	8'-0" (2438) OPG	10'-0" (3048) OPG
7-3/8" (187)	9-3/8" (238)	9-3/8" (238)	4-7/8" (124)	4-7/8" (124)	4-7/8" (124)	4-7/8" (124)	4-7/8" (124)
37-5/16" (948)	39-5/16" (998)	40-5/16" (1024)	40-1/8" (1019)	29-3/4" (756)	30-3/8" (772)	38-3/8" (975)	
67-1/4" (1708)	69-1/4" (1759)	71-1/4" (1810)	75-3/8" (1915)	79-1/2" (2019)	81-3/8" (2067)	105-3/8" (2677)	
				54-5/8" (1388)	55-7/8" (1419)	71-7/8" (1810)	

NOTE: DIMENSION SHOWN FOR LOCK PREPARATION IS FOR GOVERNMENT SERIES 160, 161, 190 AND UNIT LOCKS. WHEN GOVERNMENT SERIES 86 LOCK IS USED (ANSI A115.1) DIMENSION TO CENTER OF LOCK IS 3/8" (10) LESS THAN INDICATED.



PROJECT



DATE

REVISION

DRAWN BY

SHEET OF