

DL SERIES EMBOSSED DOORS

DL Series Doors shall be as manufactured or furnished by Republic Doors and Frames, McKenzie, Tennessee 38201. (Standard components are bold.)

Thickness - 1-3/4" or 1-3/8" (1-3/8" available in 6-panel only)

Actual Door Size - Door undersized from nominal by 1/4" in width and 7/8" in height. Standard undercut is 3/4".

Hinge Rail & Reinforcement - Hinge edge is non-beveled and reinforced with a continuous or segmented 16 gage steel channel projection welded at a maximum 5" on center. Additional reinforcement plates are provided at the hinge locations to give a total of 3/16" reinforcement. (Backset 1/4")

Lock Rail - Lock edge is non-beveled and reinforced with a continuous 16 gage channel. 16 gage reinforcements for mortise or cylindrical locks are of an integral type in accordance with ANSI A115 Standards. (Optional - Beveled lock edge - 1/8" in 2")

Edge Seams - Overlapping.

Top Channel - Top Channel is a flush top, 16 gage channel, projection welded at a maximum 2-1/2" on center.

Bottom Channel - Bottom Channel is an inverted 16 gage channel, projection welded at a maximum 2-1/2" on center.

Cores Available - Polystyrene Core - Doors shall be reinforced by laminating face skins to a foam core slab of expanded polystyrene. Core shall have 1 lb to 1.25 lb per cubic foot density.

Insulation - Polystyrene Core (R value of 4.35)
(Optional- Sound Transmission Control (STC) 40- 6-panel only)

Face Skins - 20, 18 or 16 gage - Faces shall be deep drawn embossed raised panels, both inside and out. (Optional - Wood grain embossed on 6-panel doors - prime paint only) (16 gage only available in 6-panel and 4-panel design)

Closer Reinforcement (Optional) - When closer reinforcements requested 14 gage standard / 12 gage optional. (18" x 6")

Size Availability - Minimum 2'6" x 6'8", Maximum 3'8" x 8'0" (maximum 20 gage = 3'0" x 7'0")
(Optional - 3'0" x 8'0", 6-panel design with elongated panel embossments)

Note: 2'6" wide embossed panel doors will have special lock height - not ADA compliant.

SDI 100 Grade/Model - Grade 1 Models 1 & 2 (Standard Duty, minimum 20 gage, hollow steel composite)
Grade 2 Model 1 & 2 (Heavy Duty, minimum 18 gage, hollow steel composite)
Grade 3 Models 1 & 1A, 2 & 2A (Extra Heavy duty minimum 16 gage, hollow steel composite)

Label Range - Consult Label Section.

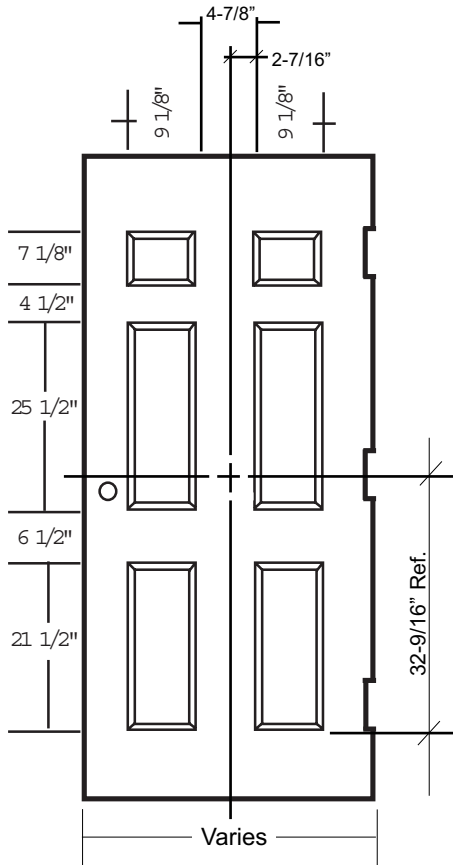
Continuous Welded Seam - Not Available

Universal Standard/Heavy Weight Hinge - Hinge fillers used to change from heavy weight to standard weight hinge prep.

Handing Design - Non-Handed standard (Handed optional)

Revised 8/09





NOTE: Maximum lock trim diameter is 3-1/8" on 28 doors.

Size limitations

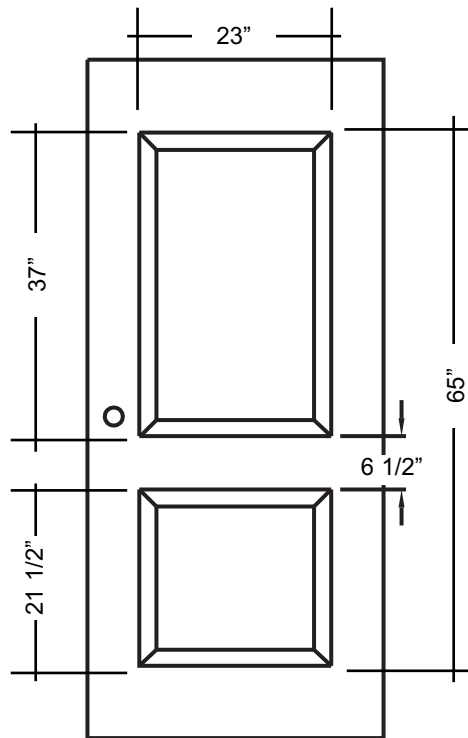
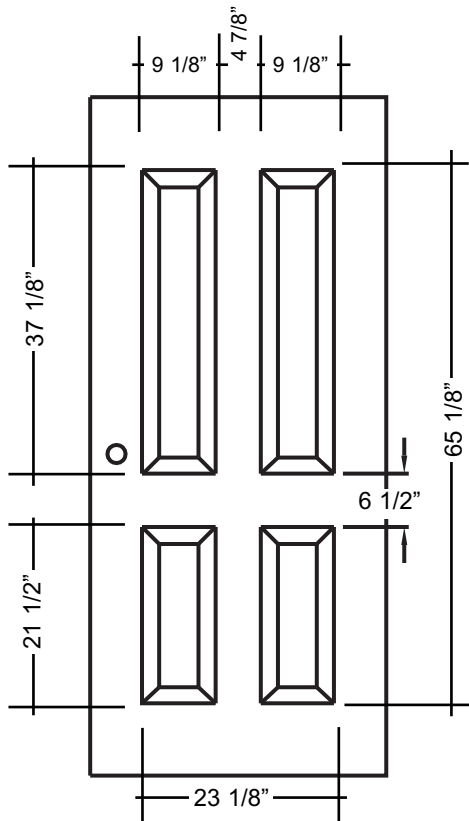
Minimum: 2668

Maximum: 3880

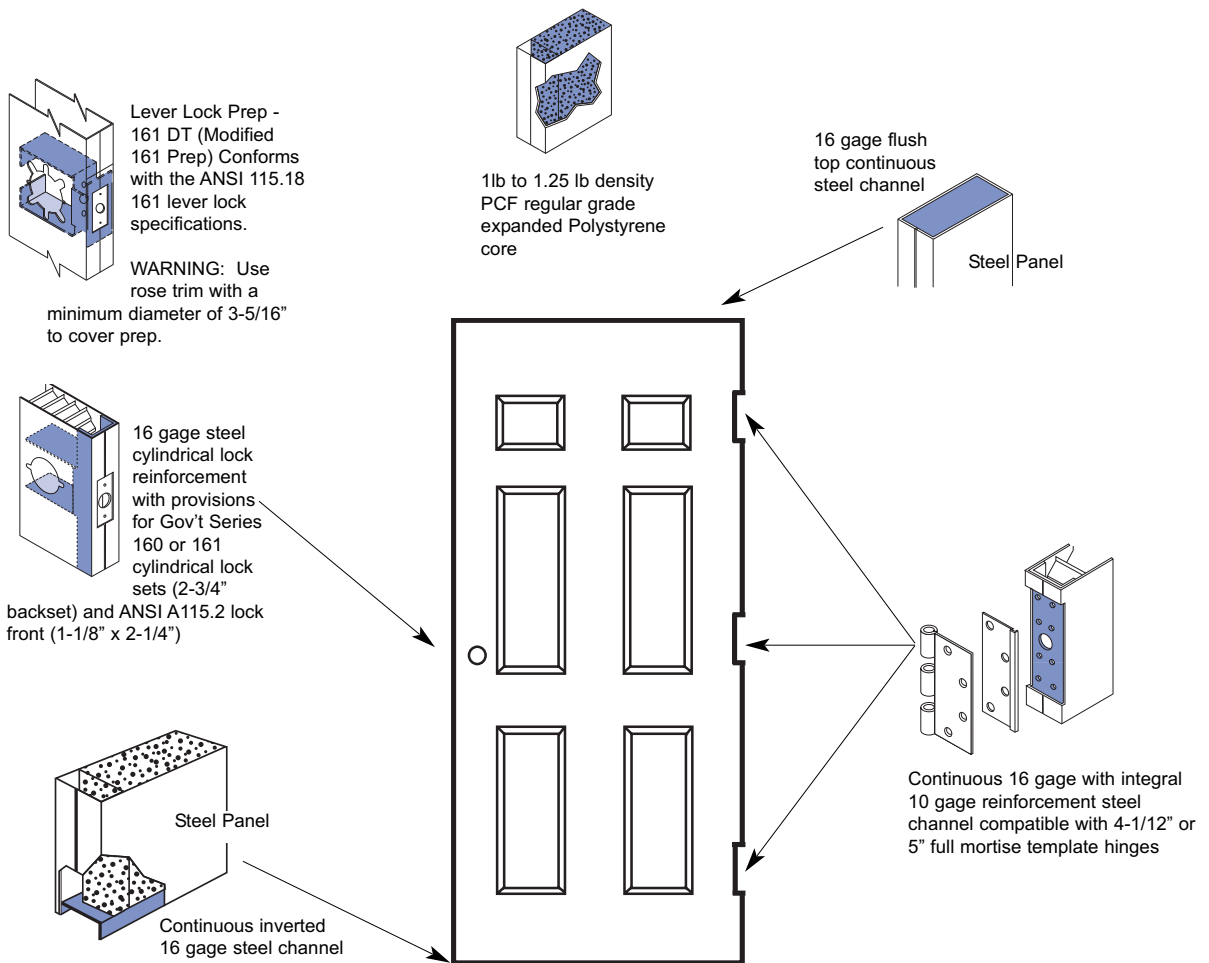
2'6" doors will have special lock height not ADA compliant.

Doors larger than 3070 will be manufactured as 18 gage.

3'8" wide doors must be manufactured as DE Series doors.



DL SERIES EMBOSSED DOORS - DOOR CONSTRUCTION DETAILS



Revised 8/09

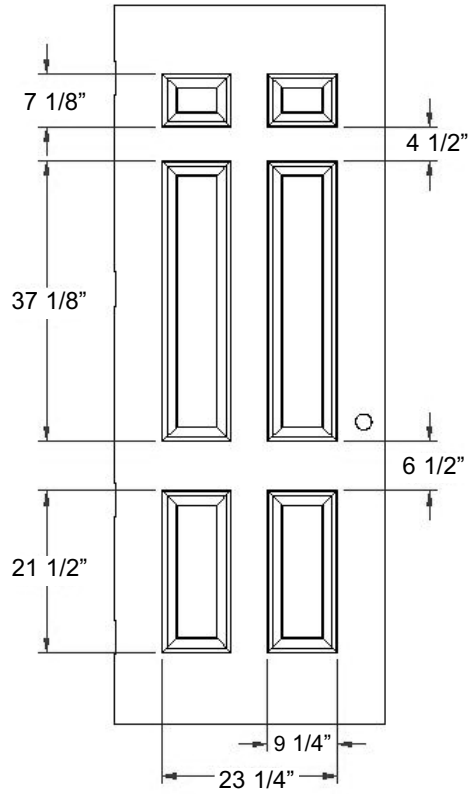
MEMBER OF:



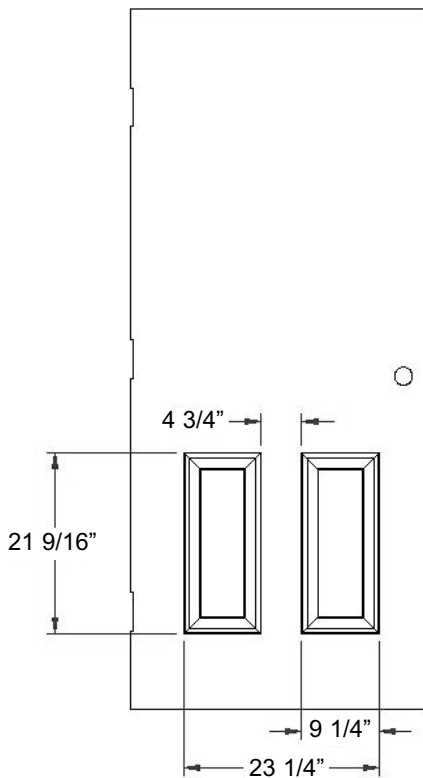
Republic Doors and Frames

155 Republic Drive • McKenzie, Tennessee 38201 • (731) 352-3383





8 Foot 6 Panel



6 Panel for Half Glass

Size limitations

Minimum: 2668

Maximum: 3880

2'6" doors will have special lock height not ADA compliant.

Doors larger than 3070 will be manufactured as 18 gage.

3'8" wide doors must be manufactured as DE Series doors.

