

DL SERIES

DL Series Doors shall be as manufactured or furnished by Republic Doors and Frames, McKenzie, Tennessee 38201. (Standard components are bold.)

Thickness - 1-3/4"

Actual Door Size - Door undersized from nominal by 1/4" in width and 7/8" in height. Standard undercut is 3/4".

Hinge Rail & Reinforcement - Hinge edge is non-beveled and reinforced with a continuous 16 gage steel channel projection welded at a maximum 5" on center. Additional reinforcement plates are provided at the hinge locations to give a total of 3/16" reinforcement. (Backset 1/4")

Lock Rail - Lock edge is non-beveled and reinforced with a continuous 16 gage channel. 16 gage reinforcements for mortise or cylindrical locks are of an integral type in accordance with ANSI A115 Standards. (Beveled lock edge 1/8" in 2" optional.)

Edge Seams - Overlapping.

Top Channel - Top Channel is a flush top, 16 gage channel, projection welded at a maximum 2-1/2" on center. (Optional - Inverted)

Bottom Channel - Bottom Channel is an inverted 16 gage channel, projection welded at a maximum 2-1/2" on center.

Cores Available - 3/4" Cell Honeycomb, Polystyrene and Polyurethane.

Face Skins - 20 gage, 18 gage and 16 gage, **cold rolled** or galvanized steel.

Closer Reinforcement (Optional) - When closer reinforcements requested 14 gage standard / 12 gage optional. (18" x 6")

Size Availability - Minimum 1'0" x 1'0", Maximum 5'0" x 10'0"

SDI 100 Grade/Model - Grade 1 Models 1 & 2 (Standard Duty, minimum 20 gage, hollow steel composite)
Grade 2 Model 1 & 2 (Heavy Duty, minimum 18 gage, hollow steel composite)
Grade 3 Models 1 & 1A, 2 & 2A (Extra Heavy duty minimum 16 gage, hollow steel composite)

Label Range - Consult Label Section.

Continuous Welded Seam - Available - (Maximum Size 4'0" x 8'0"; Gages: 20, 18 & 16)

Universal Standard/Heavy Weight Hinge - Hinge fillers used to change from heavy weight to standard weight hinge prep.

Handing Design - Non-Handed (Handed optional)

Revised 8/09

DL SERIES - SPECIFICATIONS

- I. DM Series Doors as manufactured by Republic Doors and Frames, McKenzie, TN 38201 have been tested or adhere to the criteria set forth by the following published standards:
- A. ANSI A250.8-1998 (SDI 100) - Recommended Specifications -Standard Steel Doors & Frames; Steel Door Institute.
 - B. ANSI A250.4 - Test Procedure & Acceptance Criteria for Physical Endurance for Steel Doors & Hardware Reinforcings.
 - C. SDI 111 - Recommended Standard Details - Steel Doors & Frames.
 - D. SDI 112-97 - Zinc Coated Standard Steel Doors and Frames.
 - E. SDI 113-79 - Test Procedure and Acceptance Criteria for Acoustical Performance for Steel Door and Frame Assemblies.
 - F. ASTM A366/A366M - Standard Specification for Steel, Sheet, Carbon, and High Strength, Low Alloy, Hot Rolled and Cold Rolled, General Requirements.
 - G. ASTM A568/A568M - Standard Specification for Steel, Sheet, Carbon and High Strength, Low-Alloy, Hot Rolled and Cold Rolled, General Requirements For.
 - H. ASTM A569/A569M - Standard Steel Specification for Steel, Carbon (0.15 Maximum Percent), Hot Rolled Sheet and Strip Commercial Quality.
 - I. ASTM A591/A591M - Standard Steel Specification for Steel Sheet, Electrolytic Zinc-Coated, for Light Coating Mass Applications.
 - J. ASTM A653/A653M - Standard Specification for Steel Sheet, Zinc-Coated (Galvanized) or Zinc-Iron Alloy Coated (Galvanized) by Hot Dipped Process.
 - K. NFPA 80 - Standard for Fire Doors and Windows.
 - L. ANSI A151.1 - Performance Test for Steel Doors, Hinge, Lock and Exit Device Reinforcing.
- II. Door Construction
- A. Doors will be constructed of 20, 18 or 16 gage steel.
 - B. Top Channel will be 16 gage, flush with the top of the door and will be projection welded on maximum 2-1/2" centers to each face sheet.
 - C. Bottom Channel will be 16 gage, inverted and will be projection welded on maximum 2-1/2" centers to each face sheet.
 - D. Hinge reinforcing will be a full height 16 gage channel with additional reinforcing at hinge locations to total 3/16" thickness, projection welded to both face sheets with a maximum of 5" on center.
 - E. Lock edge is non beveled with a continuous 16 gage channel welded to both face sheets with a maximum of 5" on center. Cylindrical and mortise lock preps are extruded to 14 gage as specified in ANSI A250.8.
 - F. Cores:
 - 1. Standard - 3/4" cell honeycomb with a "U" factor of .34.
 - 2. Optional Cores- 1 lb density expanded Polystyrene per ASTM 578 with a "U" factor of .13.
2 lb Polyurethane per ASTM C591 with a "U" factor of .10.
250° Temperature Rise Mineral Fiberboard capable of withstanding a maximum of 250° temperature rise in 30 minutes. This core also possess a "U" factor of .26.
- III. Door Finish
- Doors will be cleaned and phosphatized with one coat of force-cured grey primer applied in accordance with ANSI A224.1-1990 or ASTM specification B117 for finishes capable of passing 120 hour salt spray test and a 240 hour humidity test in compliance with ASTM D1735.
- SDI Classifications:
- Grade 1 Model 1 or 2 (Standard Duty, minimum 20 gage, hollow steel composite)
 - Grade 2 Model 1 or 2 (Heavy Duty, minimum 18 gage, hollow steel composite)
 - Grade 3 Model 1 or 2 (Extra Heavy Duty minimum 16 gage, hollow steel composite)
 - Grade 3 Model 1A or 2A (Extra Heavy Duty, minimum 14 gage, hollow steel composite)

Revised 11/07



DOORS - DL SERIES (OPTIONS)

Face Skins-Galvanized: Republic's standard is a hot dipped process of not less than 0.6 oz of zinc per square foot (A60). Other types of zinc coating designations (G90) are available on request. The galvanizing process adheres to the criteria set forth by ASTM A924, ASTM A653/A653M and SDI 112-97. **Republic's standard supplied light kits or louvers for galvanized doors will be galvanized.**

Cores-

Polystyrene - A solid core, efficient in extreme weather conditions.

Polyurethane - A solid core, recommended for arctic conditions.

250 degree Temperature Rise Mineral Fiberboard - Capable of withstanding a maximum of 250° temperature rise in 30 minutes.

Steel Stiffened - See DS Series for core details.

Light Kits & Louvers-See Miscellaneous Section

Hinge & Strike Locations-Optional locations available. See Miscellaneous Section

Closer Reinforcement-When closer reinforcements requested 14 gage standard / 12 gage optional. (18" x 6")

Top Channel-Inverted

Revised 8/09

MEMBER OF:

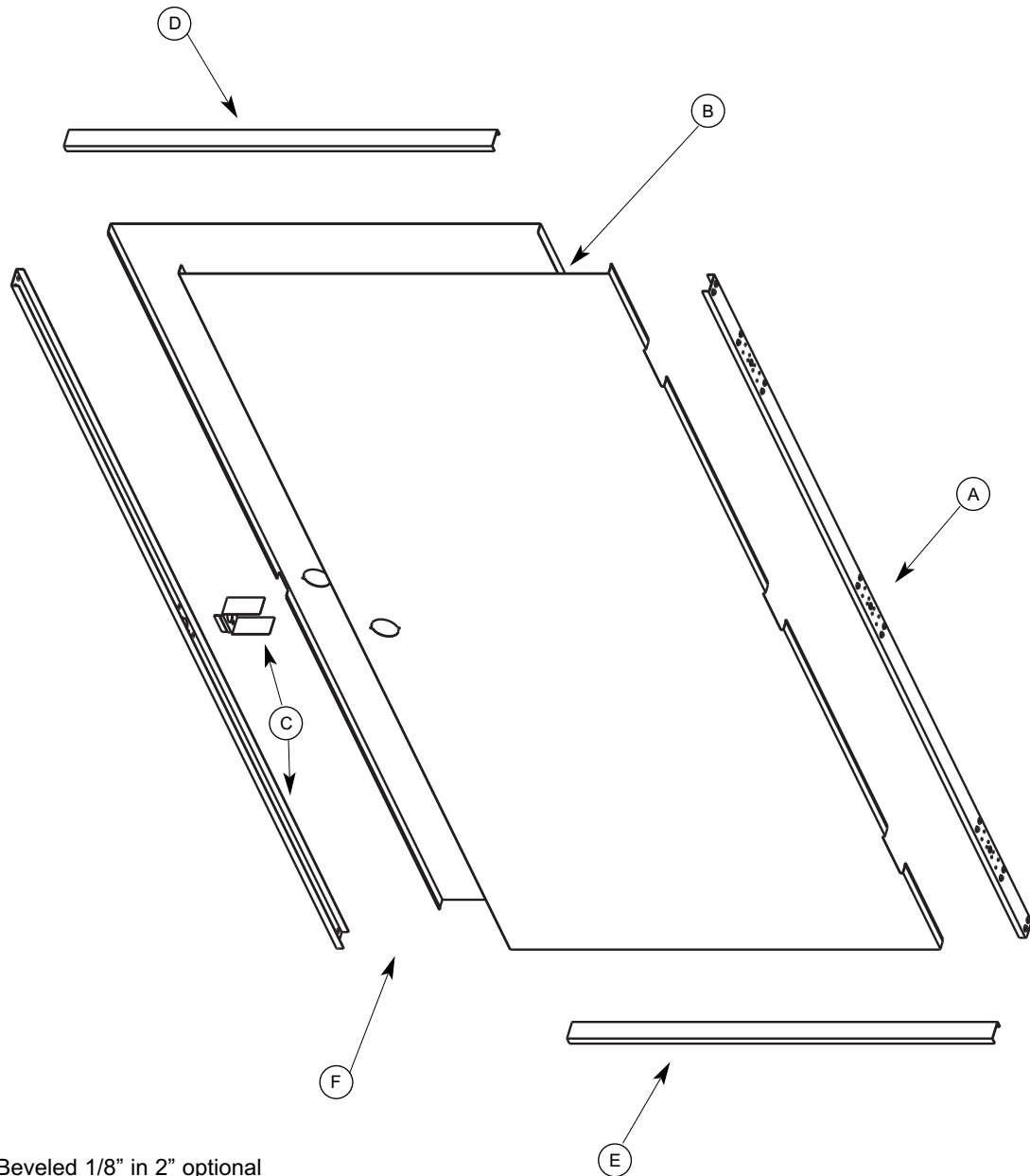


Republic Doors and Frames

155 Republic Drive • McKenzie, Tennessee 38201 • (731) 352-3383



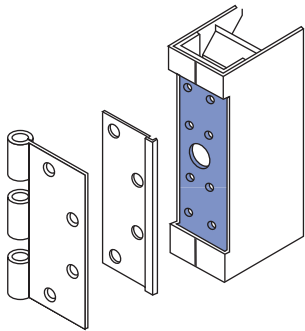
DL SERIES - DOOR CONSTRUCTION DETAILS



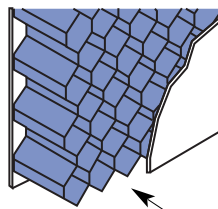
Beveled 1/8" in 2" optional
(lock side only)

NOTE:
See Details on
back of page.

Revised 7/06

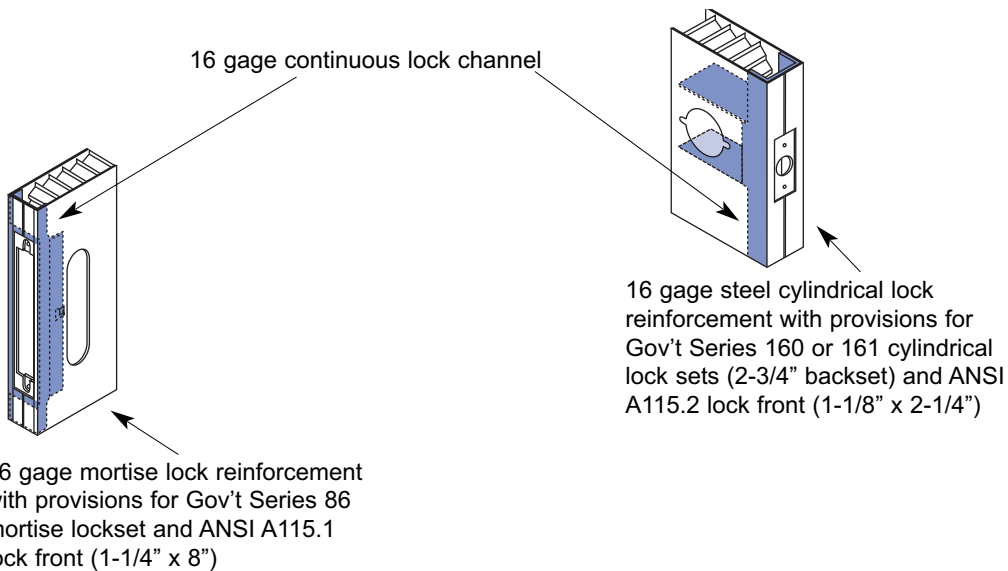
A

Continuous 16 gage with integral 10 gage reinforcement steel channel compatible with 4-1/12" or 5" full mortise template hinges on 1-3/4" doors

B

3/4" Cell Honeycomb Core (Standard) U Factor of .34

Other cores available please specify.

C

16 gage continuous lock channel

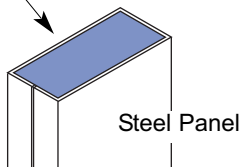
16 gage steel cylindrical lock reinforcement with provisions for Gov't Series 160 or 161 cylindrical lock sets (2-3/4" backset) and ANSI A115.2 lock front (1-1/8" x 2-1/4")

16 gage mortise lock reinforcement with provisions for Gov't Series 86 mortise lockset and ANSI A115.1 lock front (1-1/4" x 8")

D

Flush top continuous 16 gage steel channel

DOOR TOP

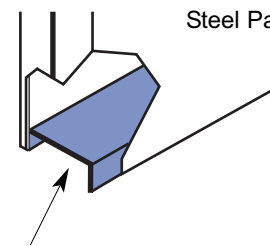


When closer reinforcements requested 14 gage standard / 12 gage optional

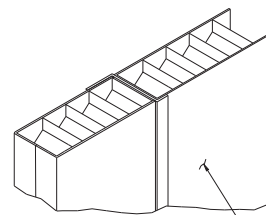
E

DOOR BOTTOM

Steel Panel



Continuous 16 gage steel channel

F

Inactive Leaf (outside)

14 gage astragal for double doors (optional)